



**Wescott®**  
Undermount bathroom sink  
**442040**

**Features**

- No faucet holes; requires wall- or counter-mount faucet.
- Center drain and overflow.

**Material**

- Grade A vitreous china with a hard, glossy finish.

**Installation**

- Undermount.

**Recommended Products/Accessories**

- K-8998 P-Trap
- K-23726 Drain treatment
- K-23725 Cast iron cleaner

**Included Components**

Product consists of:

- 52047 Clamp Accessory Pack, 4 Ea.



**ADA**

**Codes/Standards**



ASME A112.19.2/CSA B45.1  
ADA  
ICC/ANSI A117.1

**STERLING® Warranty - Toilets and Lavatories**

See website for detailed warranty information.

**Available Colors/Finishes**

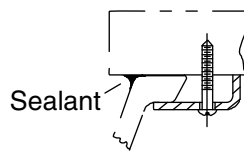
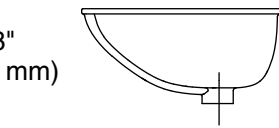
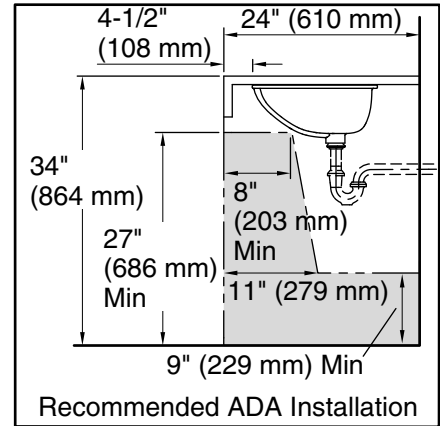
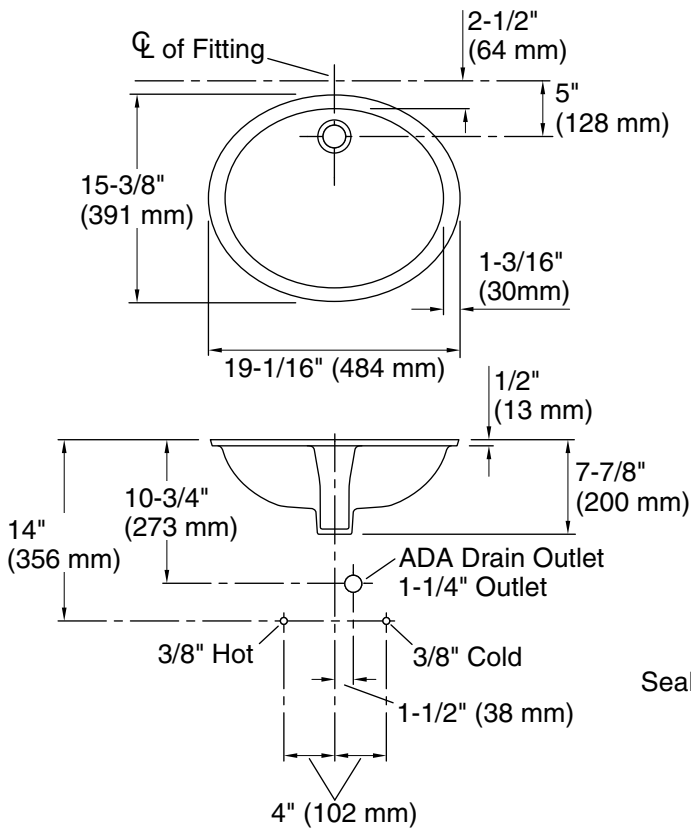
*Color tiles intended for reference only.*

Color	Code	Description
	0	White
	96	KOHLER Biscuit

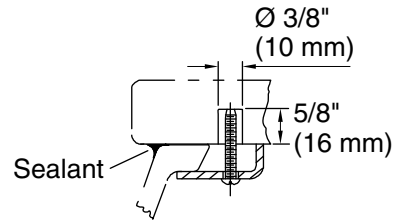
1-800-STERLING (1-800-783-7546)

Kohler Co. reserves the right to make revisions without notice to product specifications.

For the most current Specification Sheet, go to [www.sterlingplumbing.com](http://www.sterlingplumbing.com).



Wood Installation



Marble Installation

**Technical Information**

All product dimensions are nominal.  
 Bowl configuration: Single  
 Installation: Under-mount  
 Bowl area (Only): Water depth: 4" (102 mm)  
 Drain hole: 1-3/4" (44 mm)  
 Template: 1034559-7, required, included

**Notes**

Install this product according to the installation instructions.  
 Measure your actual product for roughing-in details.  
 ADA compliant when installed to the specific requirements of these regulations.